

SPECIFICATION NOTES:

1. ELECTRICAL:

- 1.1 VOLTAGE RATING: 150 VAC RMS
- 1.2 CURRENT RATING: 1.5 AMP
- 1.3 CONTACT RESISTANCE: 20mΩ MAX.
- 1.4 INSULATION RESISTANCE: 1000MΩ MIN. AT 500V DC.
- 1.5 WITHSTAND VOLTAGE: 1000V D.C. or A.C. PEAK; ONE CONTACT TO ALL OTHER CONTACTS CONNECTED TOGETHER. 1500V D.C. OR A.C. PEAK; ALL CONTACTS CONNECTED TOGETHER TO SHIELD, (HOUSING/MOUNTING PLATE) IF PRESENT. @ 0.5mA 50 Hz OR 60 Hz A MINUTE

2. MECHANICAL:

- 2.1 RETENTION STRENGTH: 50N MIN. FOR 60S±5S
- 2.2 OPERATING LIFE: 750 CYCLES.
- 2.3 INSERTION FORCE: 30N MAX.

3. ENVIRONMENTAL:

- 3.1 OPERATION: -25℃~+55℃ GB 10753-89
- 3.2 STORAGE: -10℃~+40℃ RELATIVE HUMIDITY<80%, GB 10753-89
- 3.3 STORAGE TIME: 12 MONTHS
- 3.4 SALT SPRAY TEST: SEE TABLE

4. CHARACTERISTICS:

- 4.1 PLUG WILL ACCEPT 24 OR 26 AWG SOLID WIRE HAVING A MAXIMUM INSULATION DIAMETER OF 0.89-0.99 MM AND A MAXIMUM DIAMETER CABLE JACKET OF 5.7 MM

备注:

1. 电气特性

- 1.1 额定电压: **150 VAC RMS**
- 1.2 额定电流: **1.5 AMP**
- 1.3 接触电阻: 最大**20毫欧**
- 1.4 绝缘电阻: 最小**1000兆欧@500V DC**
- 1.5 耐压

端子与其余端子: **1000V DC/AC PEAK @0.5mA 50 OR 60Hz 1Minute**

2. 机械性能

- 2.1 配合强度: **50N FOR 60S±5S**
- 2.2 使用寿命: **750次**
- 2.3 插拔力: **30N MAX.**

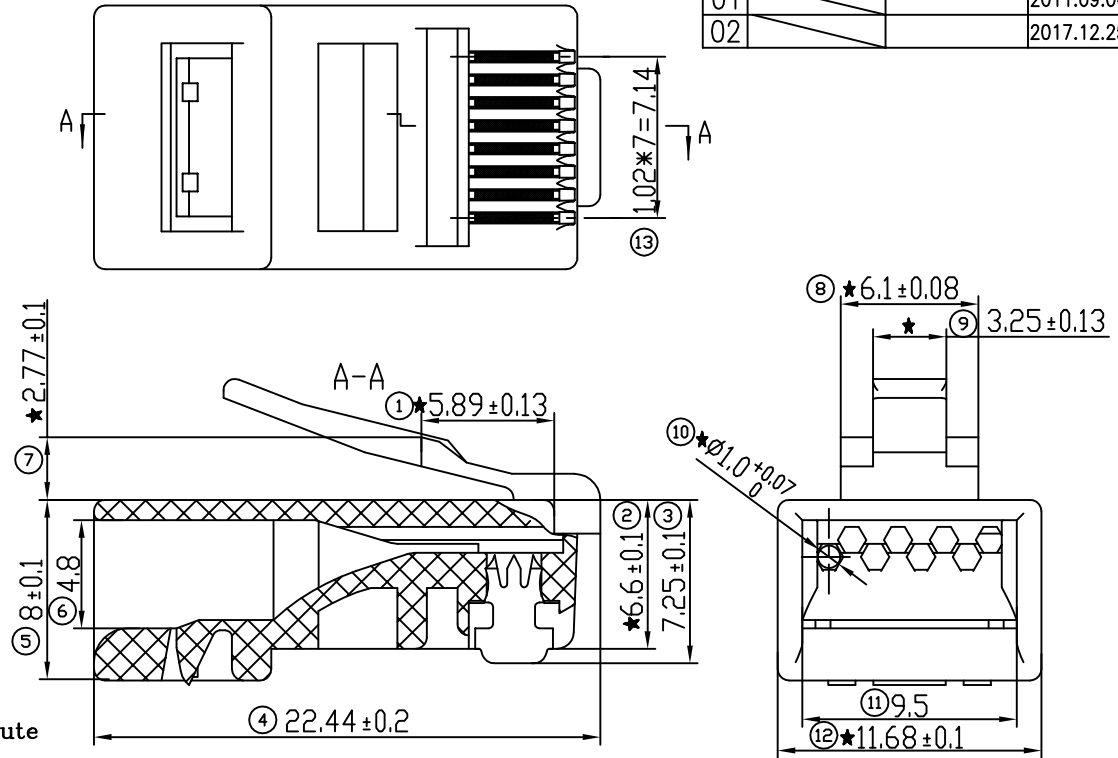
3. 环境性能

- 3.1 工作环境温度: **-25℃~+55℃**
- 3.2 储运环境温度: **-10℃~+40℃** 相对湿度**<80%**
- 3.3 储存时间: **12个月**
- 3.4 盐雾测试: 见表格

4. 机构特性

- 4.1 本款水晶头适用于 **24~26 AWG** 单股线, 单股线绝缘直径 **0.89~0.99MM**, 外层护套最大直径**5.7MM**

SALT SPRAY	
G/F	NA
3u" 6u"	24H
15u" 30u" 50u"	48H



3	Q08011601	LONG BLADE	COPPER ALLOY T=0.35
2	QWY-1029-17	SOLID BLADE	COPPER ALLOY T=0.35
1	H08112401	CAT6 8P8C HOUSING	SEE TABLE
NO.	DWG NO.	NAME	DESCRIPTION

RoHS Compliant | u"=pinch

TOLERANCES 公差 0~15±0.15 15~30±0.2 >30±0.25 ANGLES: ±1.		Material: 材质 PC CLEAR UL94V-2	Designed: 设计 PanXiaoyao	NAME: 名称 8P8C(CAT6) SOLID BLADE
SCALE 比例 A4 SIZE 1:1		Finish: 电镀 Au:G/F	Checked: 审核	DWG NO: 图号
UNIT 单位 mm		CUSTOMER: 客户 MODEL NO: 料号	Approved: 核准	PART NO: 料号 10120188A014
SHEET 第 2 页 共 3 页		REV. 版本 02		

REV. 版本	ECN NO. 变更单号	DESCRIPTION 变更说明	DATE 日期
01			2011.09.06
02			2017.12.25