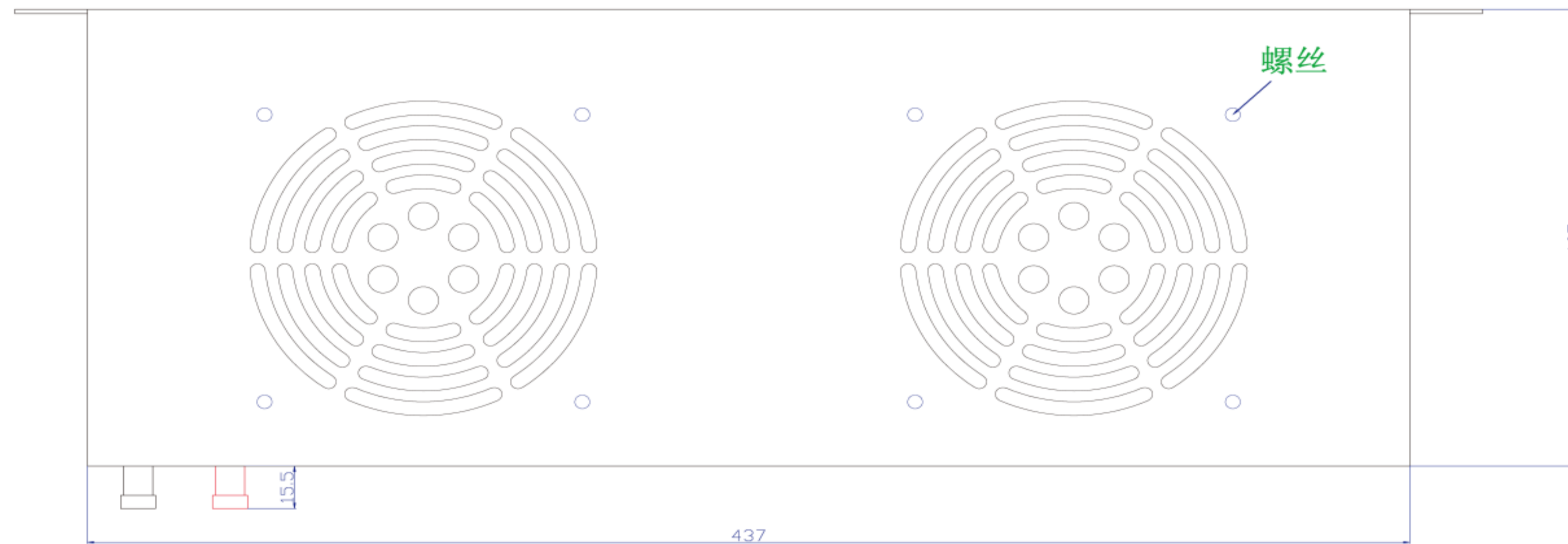
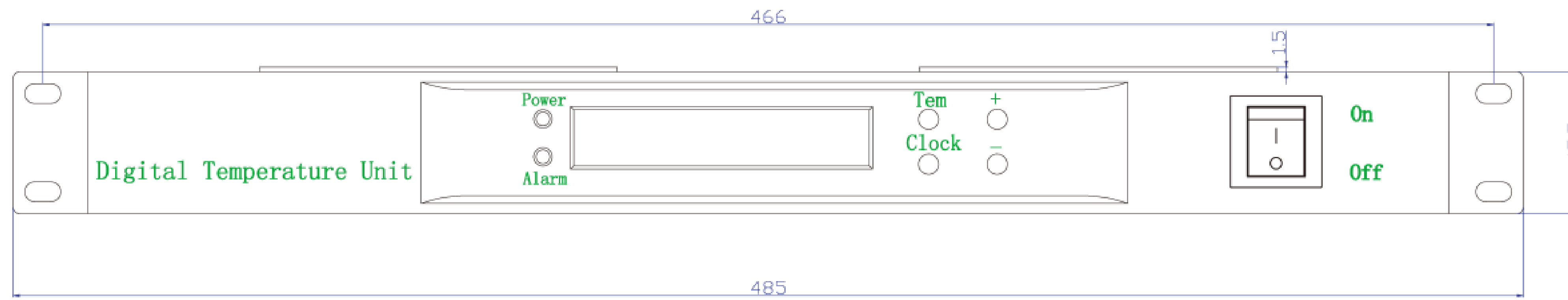


Model:04-006-042k



- **Parameters:temperatue:** -50°C~60°C (Non-condensation)
- **Relative humidity:** 20%~85%
- **Voltage:** 220V or 110V
- **Measuring range:** 0°C~50°C
- **Control the range:**0°C~50°C
- **Measurement and control precision:** ±1°C;
- Using:**
 - Connecting the temperature sensor onto the "sensor" terminals;
 - Plugging the Power Cord of the Unit onto the Power Supply.
(The power cord can be chosen for the different countries.)
 - **After connecting the above lines correctty, turn on the Power Switch on the unit and adjust the temperature control parameters.**

Function:

This unit is mainly used for temperature control and highest temperature limit alarm in the cabinets, which has the characteristics of high reliability, simply to use, easily to operate. Meanwhile, it also can show the values of current Voltage, Ampere, Temperature and Humidity.

标记	处数	分区						
设计						阶段标记	重量	比例
审核								
工艺				批准		共 张	第 张	