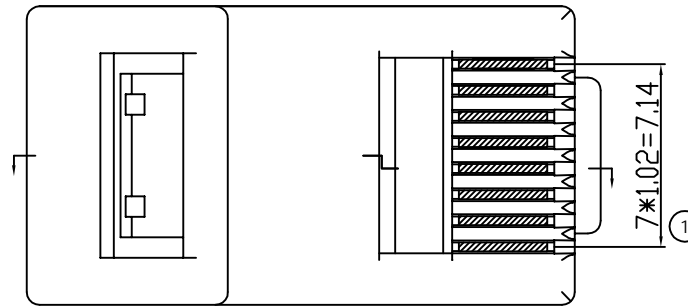


REV. 版本	ECN NO. 变更单号	DESCRIPTION 变更说明	DATE 日期
01	ECR16052401		2016.09.23

SALT SPRAY		
G/F	NA	
3u 6u	24H	
15u 30u	48H	
50u		



**SPECIFICATION NOTES:**

ELECTRICAL:

- VOLTAGE RATING: 150 VAC RMS
- CURRENT RATING: 1.5 AMP
- CONTACT RESISTANCE: 20mΩ MAX.
- INSULATION RESISTANCE: 1000MΩ MIN. AT 500V DC.
- 1000V D.C. or A.C. PEAK; ONE CONTACT TO ALL OTHER CONTACTS CONNECTED TOGETHER. 1500V D.C. OR A.C. PEAK; ALL CONTACTS CONNECTED TOGETHER TO SHIELD, (HOUSING/MOUNTING PLATE) IF PRESENT.

@ 0.5mA 50 Hz OR 60 Hz A MINUTE

MECHANICAL:

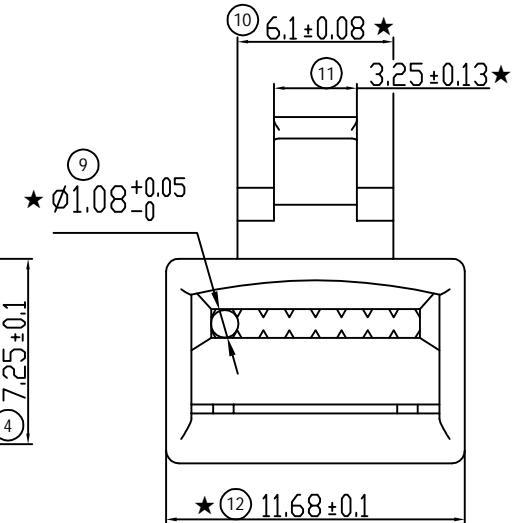
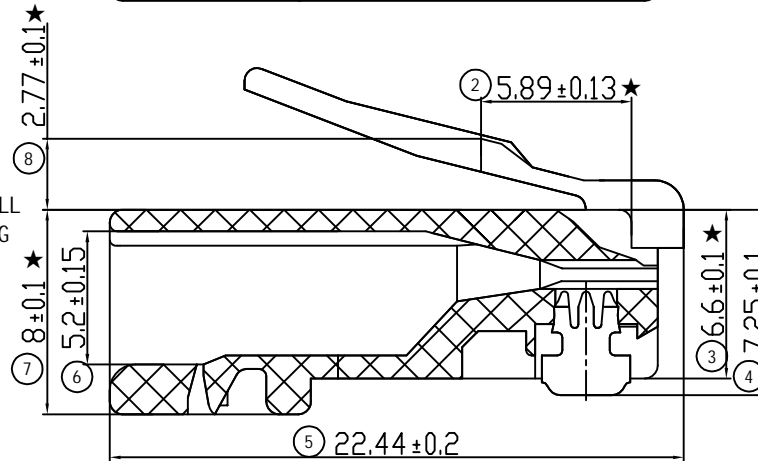
- RETENTION STRENGTH: 50N MIN. FOR 60S±5S
- OPERATING LIFE: 750 CYCLES MIN.
- INSERTION FORCE: 30N MAX.

ENVIRONMENTAL:

- OPERATION: -25°C~+55°C GB 10753-89
- STORAGE: -10°C~+40°C RELATIVE HUMIDITY<80%, GB 10753-89
- STORAGE TIME: 12 MONTHS
- SALT SPRAY TEST: SEE TABLE

CHARACTERISTICS:

PLUG WILL ACCEPT 23 OR 24 AWG SOLID WIRE HAVING A MAXIMUM INSULATION DIAMETER OF 0.97~1.07 MM

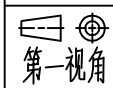


02	QWY-1029-17	SOLID BLADE	COPPER ALLOY T=0.35
01	PCT140307	8P8C PLUG HOUSING	SEE TABLE
NO.	DWG NO.	NAME	DESCRIPTION

- ★: 尺寸标示重点尺寸;
- : 尺寸表示SPC管控尺寸, 有CPK要求;
- : 尺寸表示参考尺寸;
- : 尺寸表示理论尺寸, 为其他尺寸的测量位置提供参考。

RoHS Compliant | u"=μinch

TOLERANCES 公差		Material: 材质	Designed: 设计	NAME: 名称	
00-6 ± 0.10		PC CLEAR UL94V-2			
6-15 ± 0.15					
15-30 ± 0.20		Finish: 电 镀 Au: 3u"	Checked: 审核	DWG NO: 图 号	ECT160809
30- ± 0.25			Approved: 核准	PART NO: 料 号	04-004-001-6OP
ANGLES ±1°		SHEET 1 OF 1 第 页 共 页			REV. 版本 01



A4 SIZE

SCALE 比例 1:1

UNIT 单位 mm

CUSTOMER: 客户 MODEL NO: 料号