



Standard

Comply with ANSI/EIA RS-310-D, DIN41497 part 1, IEC297-2, DIN41494 part 7, GBIT3047.2-92 standard.

Feature

- 19 inch width standard;
- Removable Side Panels, side locks optional;
- Knock off hole for entering cable on both top cover, bottom panel,real panel
- Turning angle of front door is over 180 degrees
- Easy mounting installation
- Unassembled package saving shipping space
- fan,shelf,PDU are optional

Loading Capacity

800KG

Degree of Protection

IP20

Material

SPCC Cold Rolled Steel
Thickness:2.0mm-1.2mm-1.0mm

Surface Finish:

Powder coating

Cabinet details



Fixed glass by Screws not by glue



Glass front door



Zinc plated mounting profile



Removable side panels (Side lock optional)

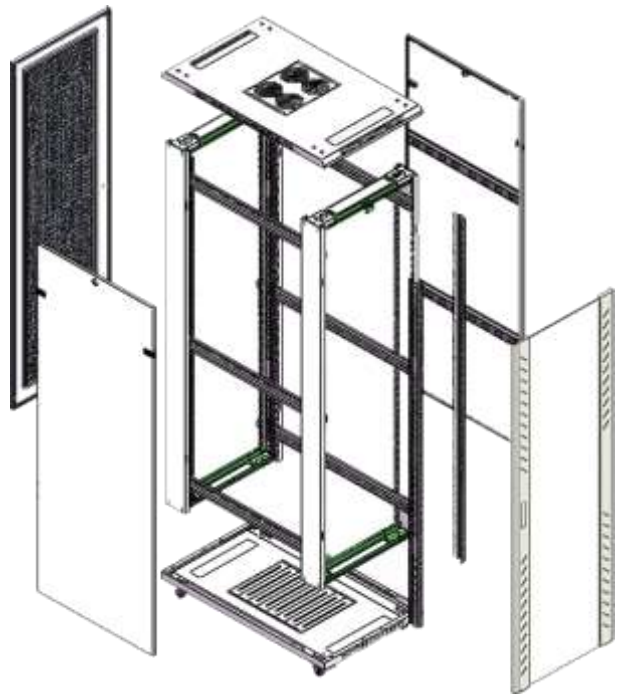
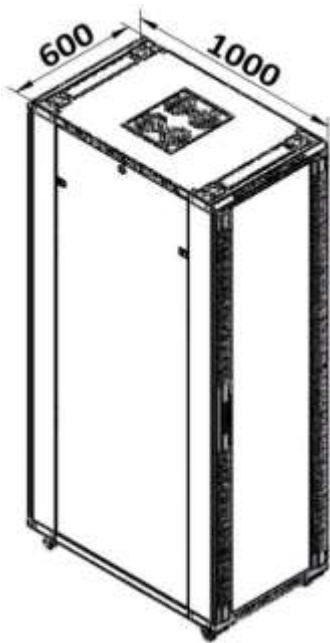


Cable entrance on rear panel

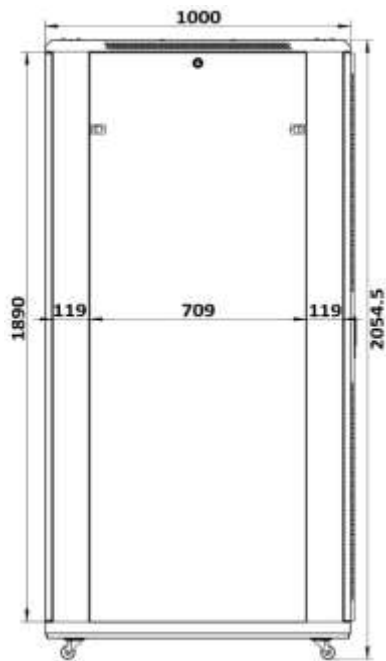


Ground wire optional

PLUS Series Floor Standing Server Rack

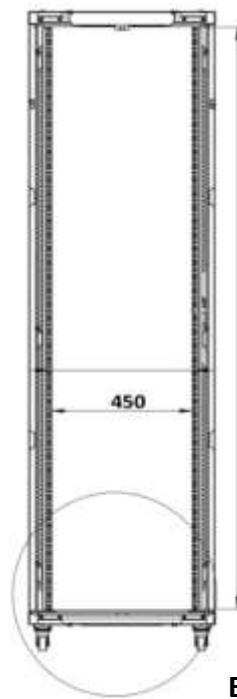


Main dimension



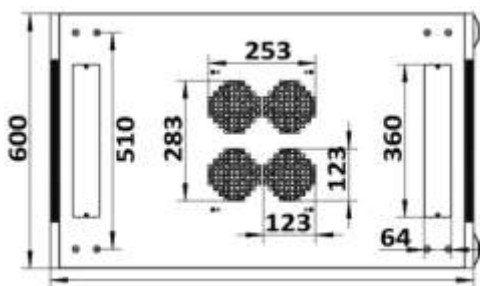
Front(Toughened glass)

Side

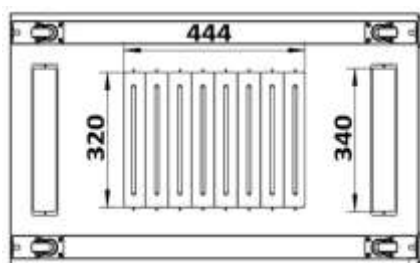


Back

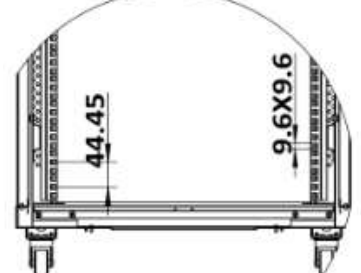
A-Section A



Top



Bottom



PLUS Series Floor Standing Server Rack

Specification

	Capacity	Width	Depth	Height	Standard accessories			
	(U)	(mm)	(mm)	(mm)				
E22-60-60 P22-60-60	22	600	600	1164	600mm depth cabinets with 2fans,800mm&1000mm depth cabinets with 4fans.			
E22-60-80 P22-60-80			800					
E22-60-100 P22-60-100			1000					
E27-60-60 P27-60-60			27			600	600	1387
E27-60-80 P27-60-80							800	
E32-60-60 P32-60-60							32	
E32-60-80 P32-60-80	800							
E32-80-80 P32-80-80	1000							
	800	800						
E37-60-60 P37-60-60	37	600	600	1832				
E37-60-80 P37-60-80			800					
E37-80-80 P37-80-80			800			800		
E42-60-60 P42-60-60			42		600	600	2054	
E42-60-80 P42-60-80						800		
E42-60-80V P42-60-80V						1000		
E42-80-80 P42-80-80	800	800						
E42-80-80V P42-80-80V		1000						
E42-80-100 P42-80-100								
E42-80-100V P42-80-100V								
E47-60-60 P47-60-60				47	600	600		2276
E47-60-80 P47-60-80		800						
E47-60-80V P47-60-80V	800	800						
E47-80-80 P47-80-80								
E47-80-80V P47-80-80V								

PLUS Series Floor Standing Server Rack

Main Parts



S/N	Specification	Quantity	Unit	Material	Surface Finish	Remark
1	Frame	2	Piece	SPCC cold rolled steel t1.2	Powder coated	
2	Side panel	2	Piece	SPCC cold rolled steel t1.2	Powder coated	
3	Top cover	1	Piece	SPCC cold rolled steel t1.5	Powder coated	
4	Bottom panel	1	Piece	SPCC cold rolled steel t1.5	Powder coated	
5	Mounting profile	4	Piece	SPCC cold rolled steel t2.0	Zinc plated	
6	Mounting rail	4/6	Piece	SPCC cold rolled steel t1.5	Powder coated	
7	Front door	1	Piece	5MM toughened glass door/SPCC t1.5	Powder coated	
8	Back door	1	Piece	Single solid metal door t1.5	Powder coated	
9	Castors	4	Piece	2pcs with brake		
10	Leveling feet	4	Piece			
11	Lock	2	Piece	Front handle lock,rear round lock		with 2 keys
12	M6 Square nut	30	Piece	Stainless Steel	Color Zinc	
13	M6 B-head screw	30	Piece	Stainless Steel	Color Zinc	
14	Allen wrench	1	Piece	Stainless Steel	Color Zinc	

Definition of door

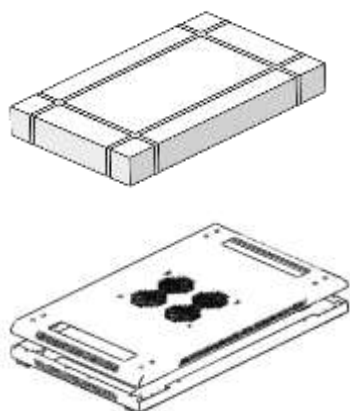
Front door	Rear door
Toughened glass door with round vented border(Handle Lock)	Mesh vented door(small round lock)
Toughened glass door (small round lock)	Solid metal door(small round lock)
Mesh vented door	Mesh vented door(small round lock)

Remark:if choose split rear door will use handle lock

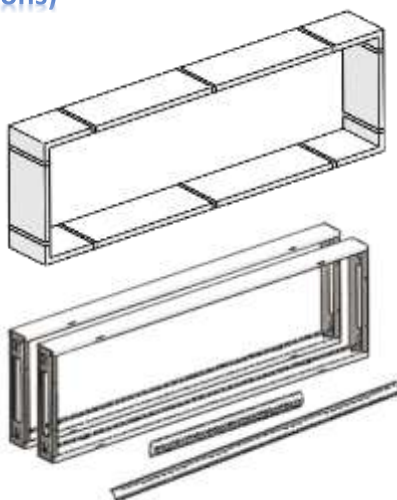
Color

RAL9004	RAL7035
black	grey
	

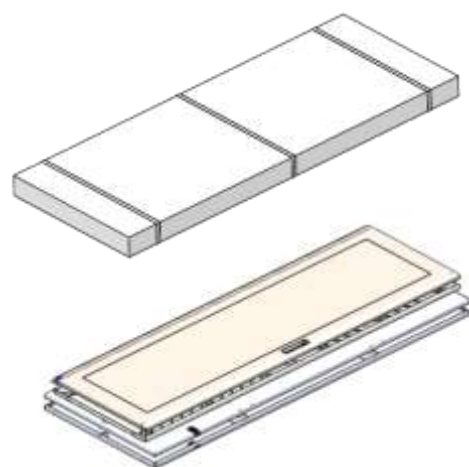
Unassembled packing details(3 cartons)



Carton 1:top cover+bottom panel



Carton 2: Cabinet frame
Mounting profile



Carton 3: Doors+side panels