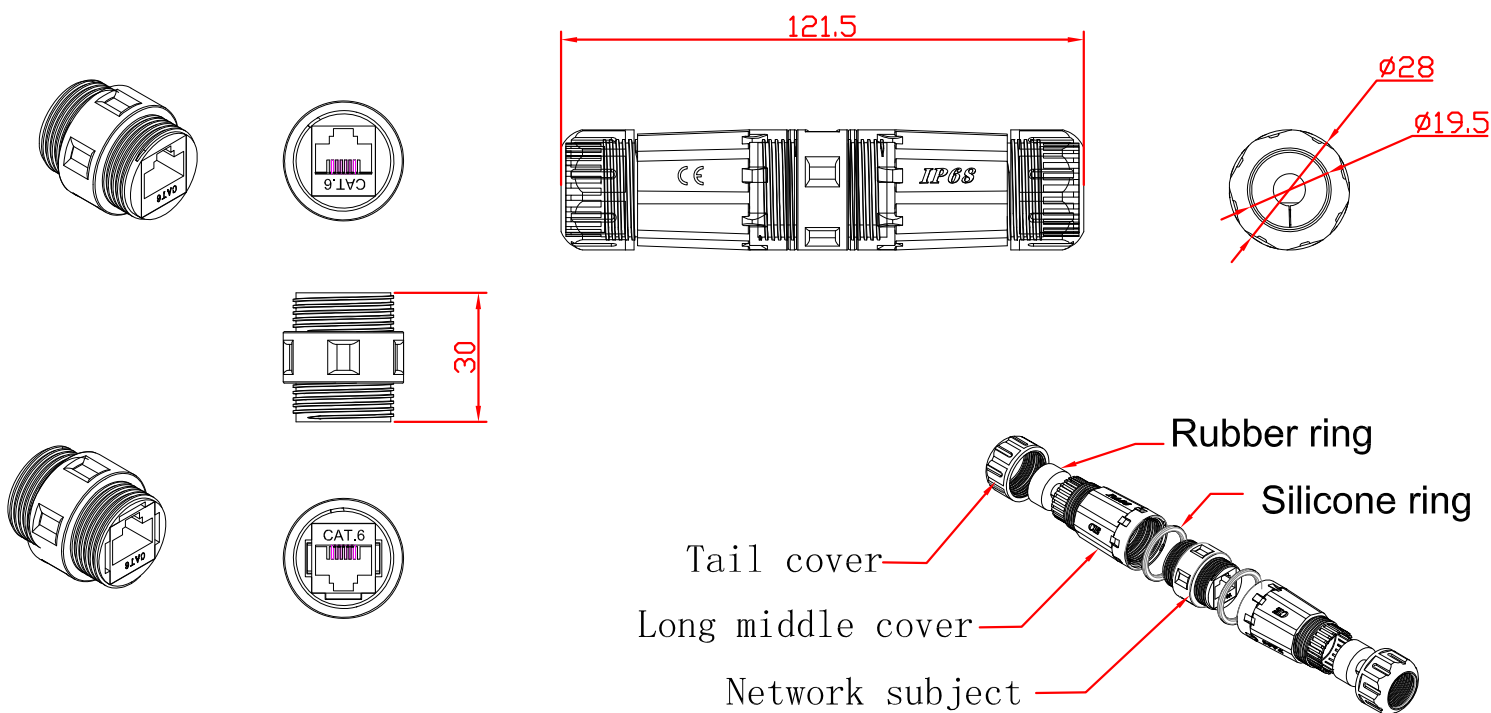


# STP CAT6/6A In-line Coupler

## Waterproof Grade:IP68



### NOTES:

#### ELECTRICAL:

- 1.VOLTAGE RATING:125 VAC RMS
- 2.CURRENT RATING: 1.5AMP
- 3.CONTACT RESISTANCE:100MILLIOHMS MAX
- 4.INSULATION RESISTANCE:1000 MEGOHMS MIN @500 VDC
- 5.DIELECTRIC STRENGTH:750 VAC RMS 60Hz, 1MIN

#### ENVIRONMENTAL:

- 1.STORAGE:-40°TO +85°
- 2.OPERATION:-20°TO 70°

#### MECHANICAL:

- 1.HOUSING MATERIAL: PA66
- 2.INSERT MATERIAL: FAME RETARDANCY PBT
- 3.PCB MATERIAL: FR-4 T=1.6mm
- 4.RJ45 JACK CONTACT: PHOSPHOR BRONZE WITH NICKEL PATING GOLD PLATED (3U/6U/15U/30U/50U)
- 5.RJ45 JACK LIFE:750 TIMES MIN
- 6.Waterproof grade: IP68
- 7.CABLE OD: 5.0 - 7.5mm

### Package Information

	Q'TY	N.W.	G.W.	MEAS
	200PCS	9KGS	10KGS	53*36*23CM

# Instructions and test methods





**Cable ID: KD-CP3010SHC6A**

Date / Time: 03/29/2019 04:25:42 PM

Headroom 4.1 dB (NEXT 36-45)

Test Limit: ISO11801 Channel Class Ea

Cable Type: Cat 6A F/UTP

NVP: 74.0%

Software Version: V6.1 Build 3

Limits Version: V7.1

Calibration Start Date:

Main (Module): 04/16/2017

Remote (Module): 04/16/2017

**Test Summary: PASS**

Model: DSX-5000

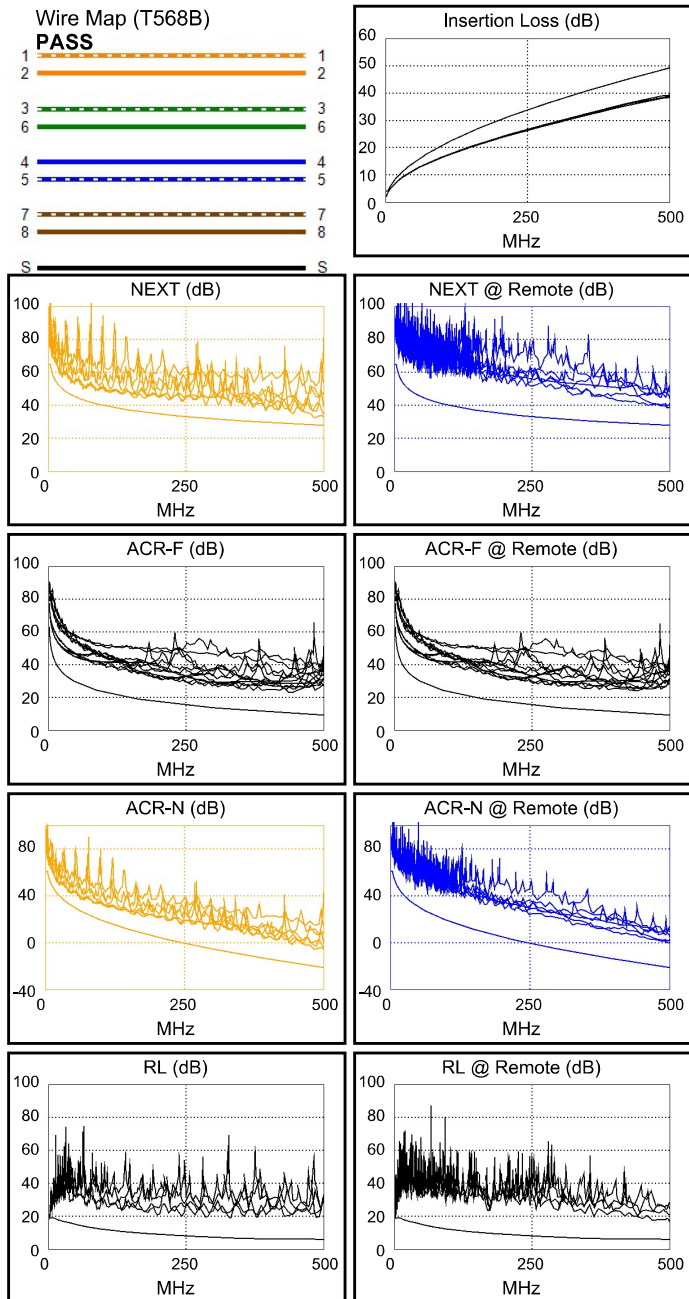
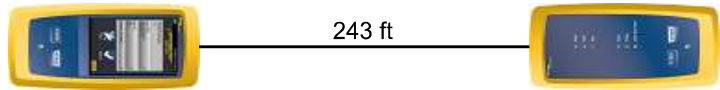
Main S/N: 3717149

Remote S/N: 3717294

Main Adapter: DSX-CHA004

Remote Adapter: DSX-CHA004

Length (ft), Limit 328	[Pair 45]	243
Prop. Delay (ns), Limit 555	[Pair 12]	340
Delay Skew (ns), Limit 50	[Pair 12]	6
Resistance (ohms), Limit 25.00	[Pair 78]	16.13
Insertion Loss Margin (dB)	[Pair 36]	9.9
Frequency (MHz)	[Pair 36]	500.0
Limit (dB)	[Pair 36]	49.3



Worst Case Margin Worst Case Value

PASS	MAIN	SR	MAIN	SR
Worst Pair	36-45	36-78	36-45	36-78
<b>NEXT (dB)</b>	4.1	10.6	4.1	10.6
Freq. (MHz)	483.0	496.0	483.0	496.0
Limit (dB)	28.1	27.9	28.1	27.9
Worst Pair	36	36	36	36
<b>PS NEXT (dB)</b>	4.6	10.9	4.6	10.9
Freq. (MHz)	483.0	500.0	483.0	500.0
Limit (dB)	25.1	24.8	25.1	24.8

PASS	MAIN	SR	MAIN	SR
Worst Pair	45-36	36-45	45-36	36-45
<b>ACR-F (dB)</b>	11.8	12.5	11.8	12.9
Freq. (MHz)	440.0	351.0	440.0	440.0
Limit (dB)	10.4	12.4	10.4	10.4
Worst Pair	36	45	36	45
<b>PS ACR-F (dB)</b>	12.7	13.3	13.0	14.2
Freq. (MHz)	307.0	355.0	441.0	440.0
Limit (dB)	10.5	9.3	7.4	7.4

PASS	MAIN	SR	MAIN	SR
Worst Pair	36-45	36-78	36-45	36-78
<b>ACR-N (dB)</b>	8.6	13.1	14.3	21.2
Freq. (MHz)	19.9	7.0	483.0	500.0
Limit (dB)	42.6	53.7	-20.2	-21.4
Worst Pair	45	45	36	36
<b>PS ACR-N (dB)</b>	8.2	13.4	15.1	20.8
Freq. (MHz)	19.9	3.3	500.0	500.0
Limit (dB)	39.9	58.0	-24.5	-24.5

PASS	MAIN	SR	MAIN	SR
Worst Pair	12	12	45	45
<b>RL (dB)</b>	4.0	7.6	12.6	10.7
Freq. (MHz)	3.1	2.6	489.0	478.0
Limit (dB)	19.0	19.0	6.0	6.0

Compliant Network Standards:

10BASE-T	100BASE-TX	100BASE-T4
1000BASE-T	2.5GBASE-T	5GBASE-T
10GBASE-T	ATM-25	ATM-51
ATM-155	100VG-AnyLan	TR-4
TR-16 Active	TR-16 Passive	