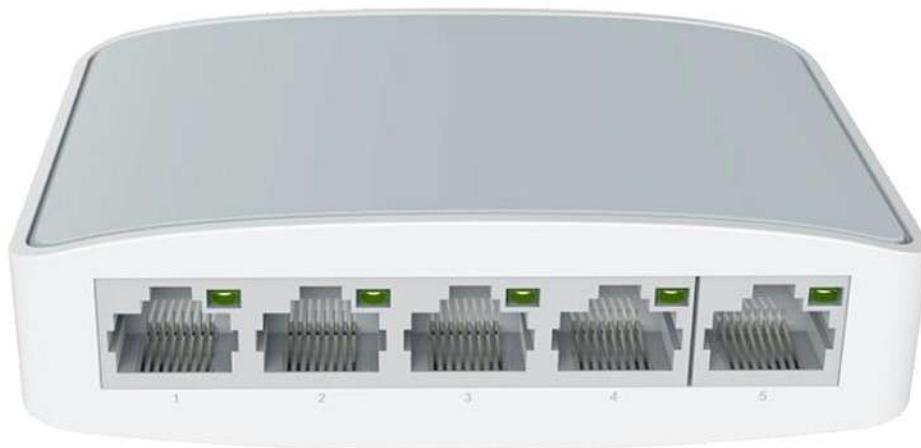


## Product Datasheet

# 5-port Gigabit Ethernet Switch



## OVERVIEW

The **11-001-001** is an unmanaged gigabit Ethernet security switch independently developed by **eucom**. It has 5\*10/100/1000Base-T RJ45 ports. The scheme of the large backplane and large cache switching chip is preferred to improve the forwarding rate of large files and effectively solve the problems of video freeze and picture loss in the high-definition surveillance environment. It is suitable for hotels, banks, campuses, factory quarters and small and medium-sized enterprises to establish a cost-effective network.

Unmanaged mode, plug and play, no configuration, simple and convenient to use.

## FEATURE

### ■ Full gigabit rate, high-speed transmission

- ◇ Full Gigabit Ethernet port, high speed, fast transmission, convenient for users to flexibly network, and meet various high-definition network requirements
- ◇ Support non-blocking wire-speed forwarding.
- ◇ Support full-duplex based on IEEE802.3x and half-duplex based on Backpressure.

### ■ Stable and reliable

- ◇ CE, FCC, RoHS.
- ◇ Low power consumption, no fan, flame retardant plastic casing.

### ■ Easy to operate

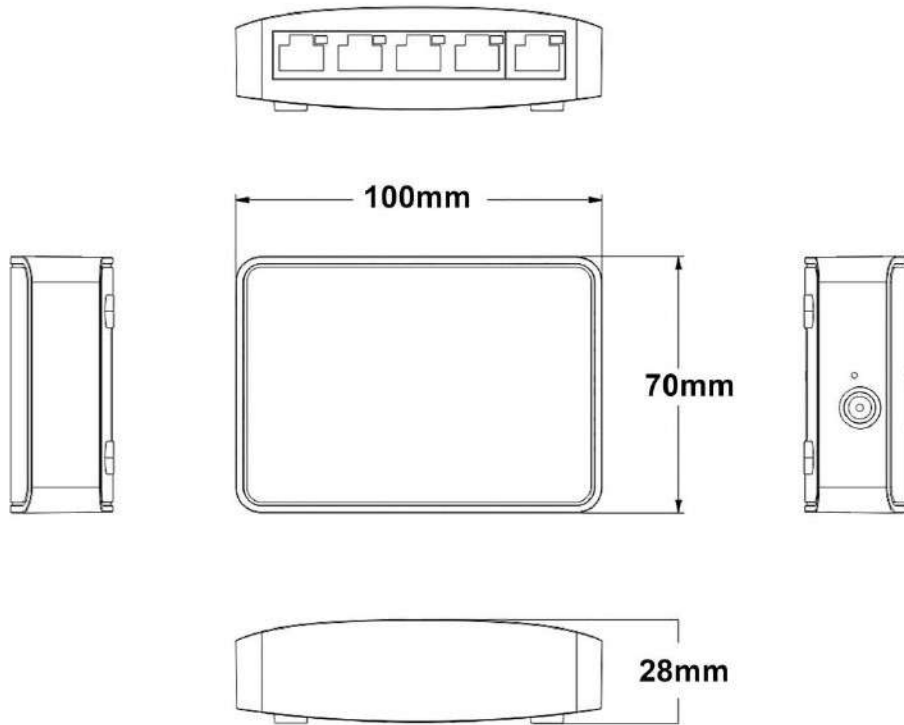
- ◇ Plug and play, no configuration, simple and convenient.
- ◇ The user-friendly panel can show the device status through the LED indicator of PWR, Link/Act.

## TECHNICAL SPECIFICATION

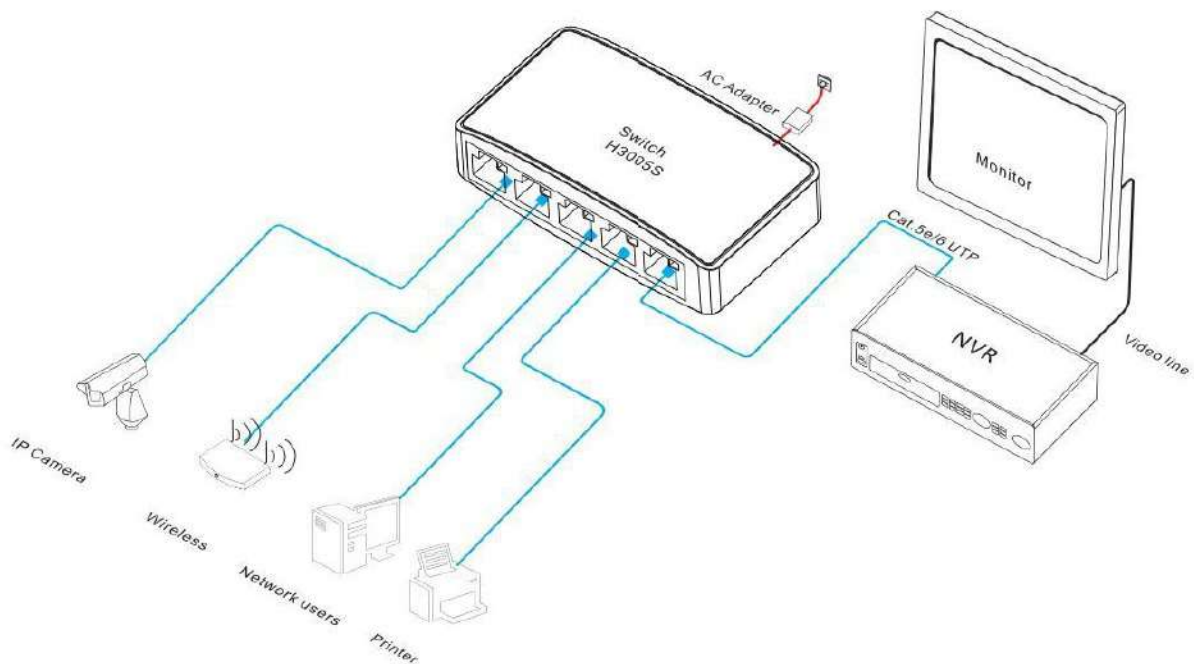
Model	11-001-001	11-001-003
<b>Interface Characteristics</b>		
Fixed Port	5*10/100/1000Base-T RJ45 ports (Data)	8*10/100/1000Base-T RJ45 ports (Data)
Ethernet Port	10/100/1000Base-T auto-sensing, full/half duplex MDI/MDI-X self-adaption.	
Twisted Pair Transmission	10BASE-T: Cat3,4,5 UTP(≤100 meter) 100BASE-TX: Cat5 or later UTP(≤100 meter) 1000BASE-T: Cat5e or later UTP(≤100 meter)	
<b>Chip Parameter</b>		
Network Protocol	IEEE802.3 10BASE-T, IEEE802.3i 10Base-T	

	IEEE802.3u 100Base-TX, IEEE802.3ab 1000Base-T, IEEE802.3x	
Forwarding Mode	Store and Forward(Full Wire Speed)	
Switching Capacity	10Gbps (Non-blocking)	16Gbps (Non-blocking)
Forwarding Rate@64byte	7.44Mpps	11.9Mpps
MAC	2K	
Buffer Memory	2M	
Jumbo Frame	9.2K	
LED Indicator	Power: PWR (Green), Network:Link/Act(Green)	
<b>Power</b>		
Total PWR / Input Voltage	5W/ (DC5V)	
Power Consumption	Standby<1W, Full Load<4W	Standby<1W, Full Load<5W
Power Supply	External power adapter, AC100~240V 50-60Hz 0.56A	
<b>Physical Parameter</b>		
Operation TEMP / Humidity	0~+55°C, 5%~90% RH Non condensing	
Storage TEMP / Humidity	-40~+75°C, 5%~95% RH Non condensing	
Dimension (L*W*H)	100*70*28mm	140*78*32mm
Net /Gross Weight	<0.1kg /<0.25kg	<0.15kg /<0.3kg
Installation	Desktop, Wall-mounted	
<b>Certification &amp; Warranty</b>		
Lightning Protection	Lightning protection: 4KV 8/20us, Protection level: IP30	
Certification	CCC,CE mark, commercial, CE/LVD EN60950, FCC Part 15 Class B, RoHS	
Warranty	1 year, lifelong maintenance.	

## DIMENSION



## APPLICATION



## ORDERING INFORMATION

Model	Description	Power
<b>11-001-001</b>	Unmanaged Ethernet switch with 5*10/100/1000M RJ45 ports. External power adapter.	5W
<b>11-001-003</b>	Unmanaged Ethernet switch with 8*10/100/1000M RJ45 ports. External power adapter.	5W

## PACKING LIST

	CONTENT	QTY	UNIT
<b>PACKING LIST</b>	5-port gigabit Ethernet switch	1	SET
	Power Adapter 5V/1A	1	PC
	User Guide	1	PC
	Warranty Card	1	PC